

# Model: SZ185

## Data

---

Type: Hermetic scroll compressors

Producer: Maneurop

Series: SZ

## Model: SZ185

### Technical data

Displacement [m <sup>3</sup> /h]:	43,5
:	249,9
RPM [min <sup>-1</sup> ]:	2900
Weight [kg]:	100
Oil charge [dm <sup>3</sup> ]:	6,2
Oil type:	160SZ
Maximum system test pressure low side / high side:	25 / 32
Maximum number of starts without softstart [1/h]:	12
Refrigerant charge limit [dm <sup>3</sup> ]:	14
Refrigerant:	R407C, R134a, R404A/R507A

### Connections

	<u>inches</u>
Suction Rotolock valve connection:	2 1/4"
Discharge Rotolock valve connection:	1 3/4"
Suction connection with supplied sleeve:	1 5/8"
Discharge connection with supplied sleeve:	1 1/8"

### Approvals

CCC	-
CE	+
UL	+

# Model: SZ185

## Capacity

R134a

### Cooling capacity [W]

$t_c \setminus t_e$	-15	-10	-5	0	5	10	15
30	14 845	18 877	23 618	29 136	35 498	42 773	51 027
35	14 028	17 960	22 573	27 935	34 114	41 177	49 192
40	13 185	16 999	21 467	26 656	32 633	39 468	47 226
45	12 320	15 999	20 304	25 302	31 061	37 649	45 133
50	11 435	14 962	19 086	23 876	29 400	35 724	42 917
55	-	13 892	17 819	22 384	27 654	33 697	40 581
60	-	-	16 506	20 827	25 827	31 571	38 129
65	-	-	-	19 211	23 922	29 351	35 566
70	-	-	-	17 539	21 944	27 040	32 893

### Power input [W]

$t_c \setminus t_e$	-15	-10	-5	0	5	10	15
30	5 526	5 596	5 651	5 688	5 702	5 689	5 644
35	6 066	6 139	6 198	6 240	6 260	6 253	6 215
40	6 679	6 755	6 819	6 866	6 892	6 893	6 863
45	7 371	7 452	7 521	7 574	7 607	7 615	7 593
50	8 150	8 235	8 310	8 369	8 409	8 426	8 413
55	-	9 112	9 193	9 259	9 307	9 332	9 329
60	-	-	10 176	10 250	10 307	10 341	10 348
65	-	-	-	11 349	11 414	11 458	11 476
70	-	-	-	12 562	12 637	12 691	12 720

### Current [A]

$t_c \setminus t_e$	-15	-10	-5	0	5	10	15
30	14.54	14.62	14.68	14.71	14.71	14.67	14.57
35	15.02	15.10	15.17	15.21	15.22	15.19	15.11
40	15.60	15.70	15.77	15.82	15.84	15.82	15.75
45	16.31	16.41	16.50	16.56	16.59	16.58	16.53
50	17.15	17.26	17.36	17.43	17.47	17.48	17.44
55	-	18.26	18.37	18.45	18.50	18.53	18.51
60	-	-	19.54	19.64	19.71	19.74	19.74
65	-	-	-	21.00	21.09	21.14	21.16
70	-	-	-	22.56	22.66	22.73	22.77

# Model: SZ185

## Capacity

### Mass flow [kg/s]

$t_c \setminus t_e$	-15	-10	-5	0	5	10	15
30	317.44	395.61	485.34	587.60	703.39	833.70	979.51
35	312.49	391.97	482.90	586.27	703.06	834.26	980.86
40	307.00	387.57	479.48	583.73	701.30	833.17	980.34
45	300.93	382.36	475.04	579.94	698.06	830.39	977.91
50	294.23	376.31	469.52	574.87	693.32	825.88	973.53
55	-	369.37	462.90	568.46	687.03	819.60	967.16
60	-	-	455.13	560.69	679.15	811.51	958.75
65	-	-	-	551.50	669.64	801.56	948.27
70	-	-	-	540.87	658.45	789.73	935.68

### C.O.P. [W/W]

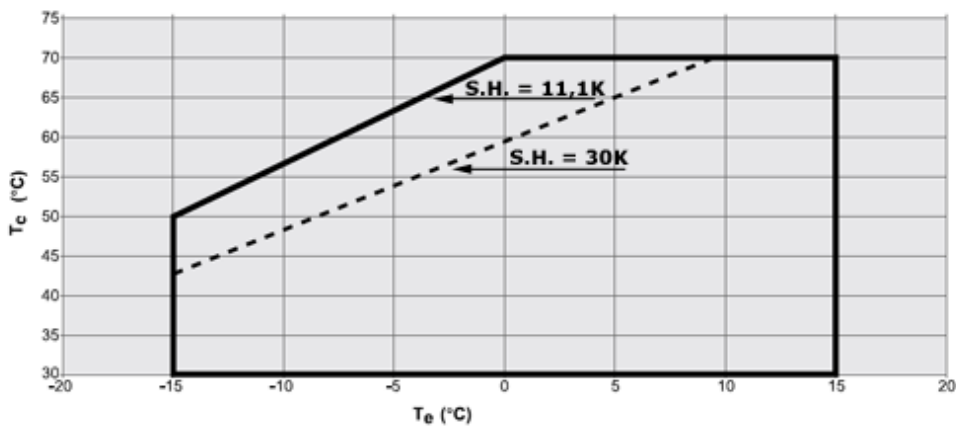
$t_c \setminus t_e$	-15	-10	-5	0	5	10	15
30	2.69	3.37	4.18	5.12	6.23	7.52	9.04
35	2.31	2.93	3.64	4.48	5.45	6.59	7.91
40	1.97	2.52	3.15	3.88	4.73	5.73	6.88
45	1.67	2.15	2.70	3.34	4.08	4.94	5.94
50	1.40	1.82	2.30	2.85	3.50	4.24	5.10
55	-	1.52	1.94	2.42	2.97	3.61	4.35
60	-	-	1.62	2.03	2.51	3.05	3.68
65	-	-	-	1.69	2.10	2.56	3.10
70	-	-	-	1.40	1.74	2.13	2.59

Operating conditions: suction superheat: 11.1 K, subcooling: 8.3 K

$t_c$  - Condensing temperature [°C]

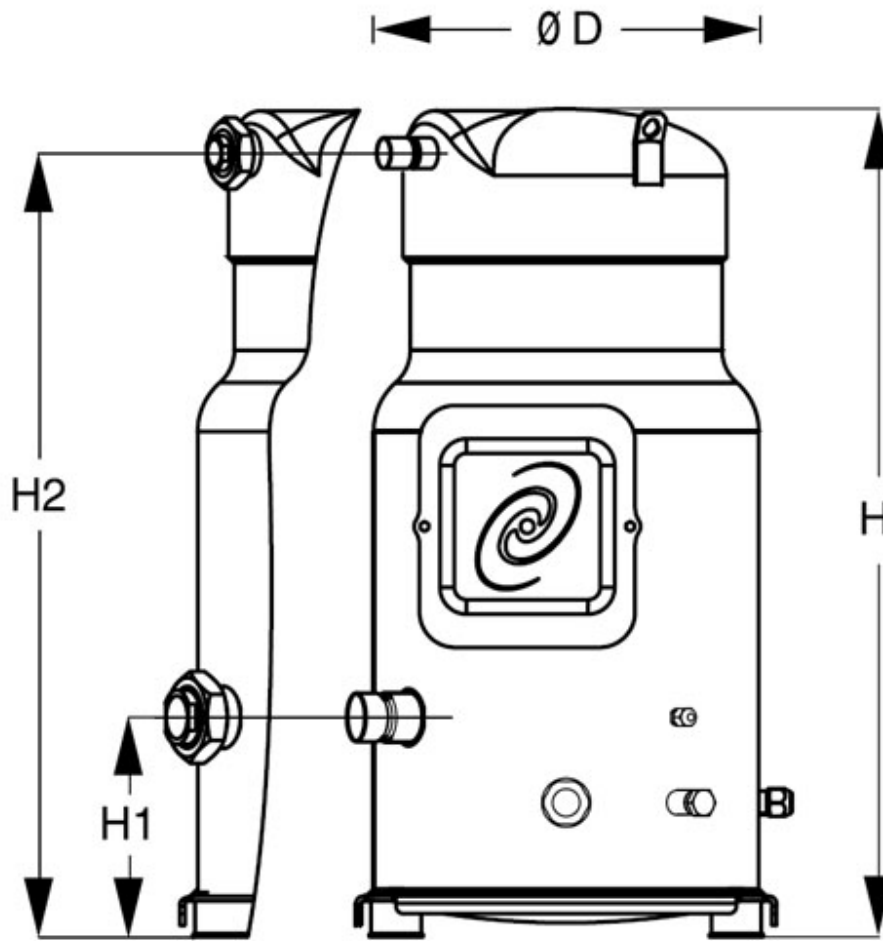
$t_e$  - Evaporating temperature [°C]

### Application range



# Model: SZ185

## Dimensions



D	316 mm
H	678 mm
H1	180 mm
H2	641 mm